

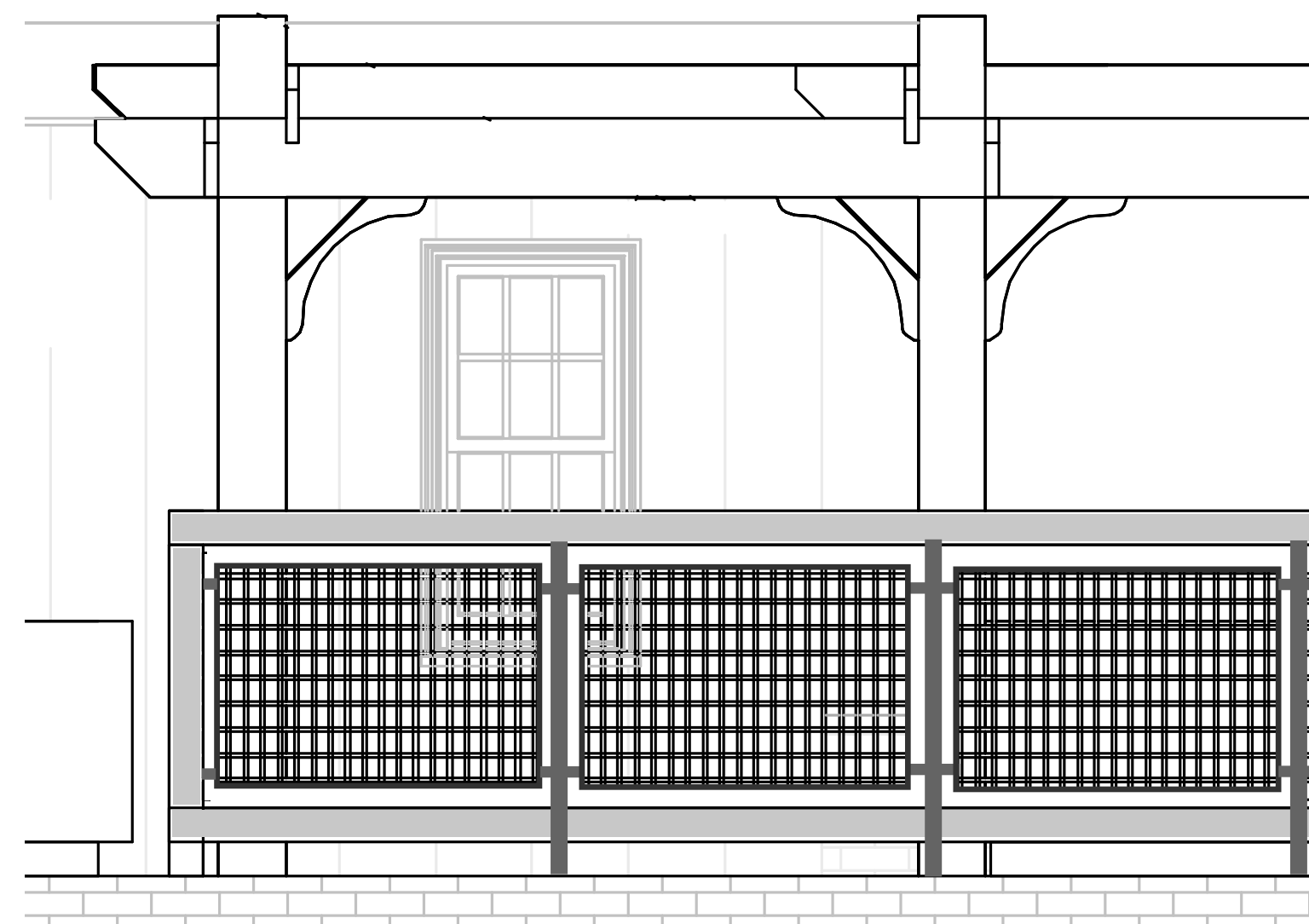
PROPOSED COLOR CHOICE



PROPOSED CONNECTION FINISHING DETAIL



PROPOSED IDEA IMAGE



PROPOSED MESH PANEL RAILING DESIGN INTENT



PROPOSED IDEA IMAGE

ROOFTOP & BALCONY RAILING - DESIGN INTENT

NOT FOR CONSTRUCTION

IOKA THEATER

55 WATER STREET
 EXETER, NH 03833

Revisions:	#	Description	Date

Scale:	1/8" = 1'-0"
Drawn By:	PPS
Checked By:	ALW
Project No.:	2020016
Date:	07/06/20

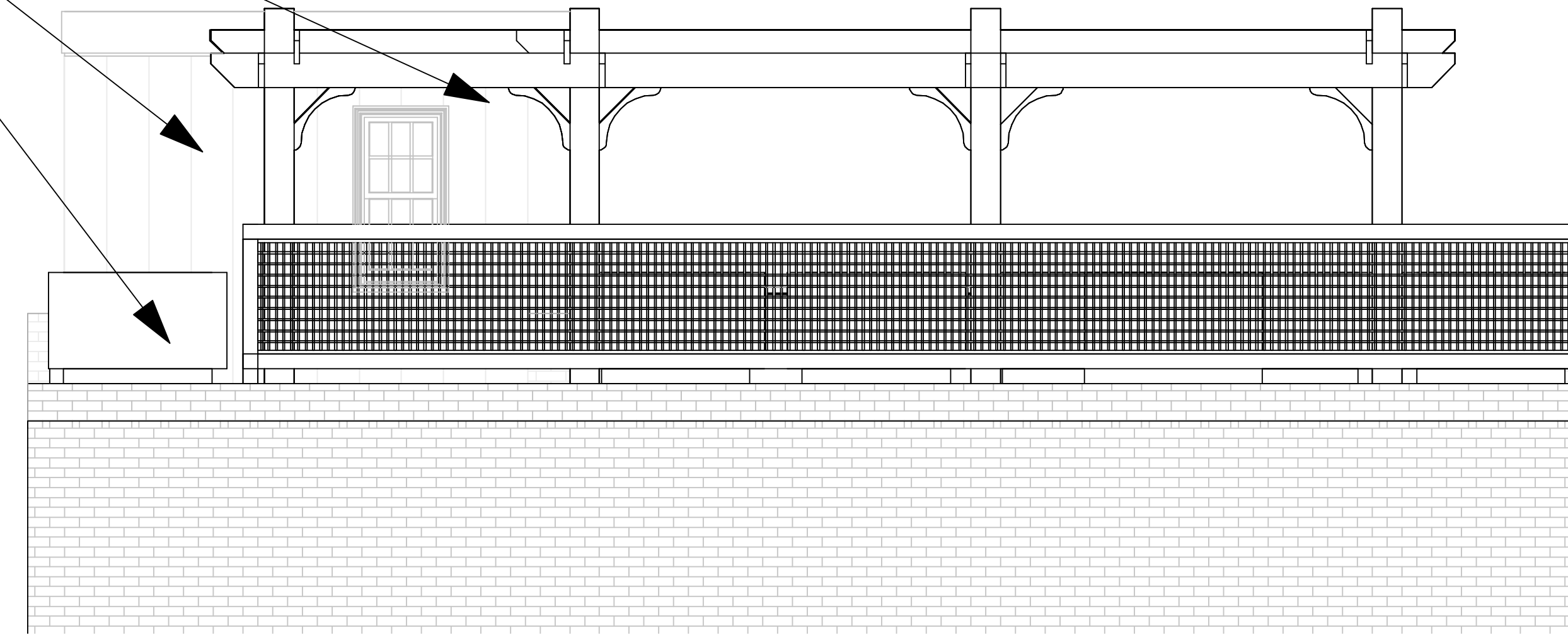
Title:
ROOFTOP RAILING OPTIONS

A0.01

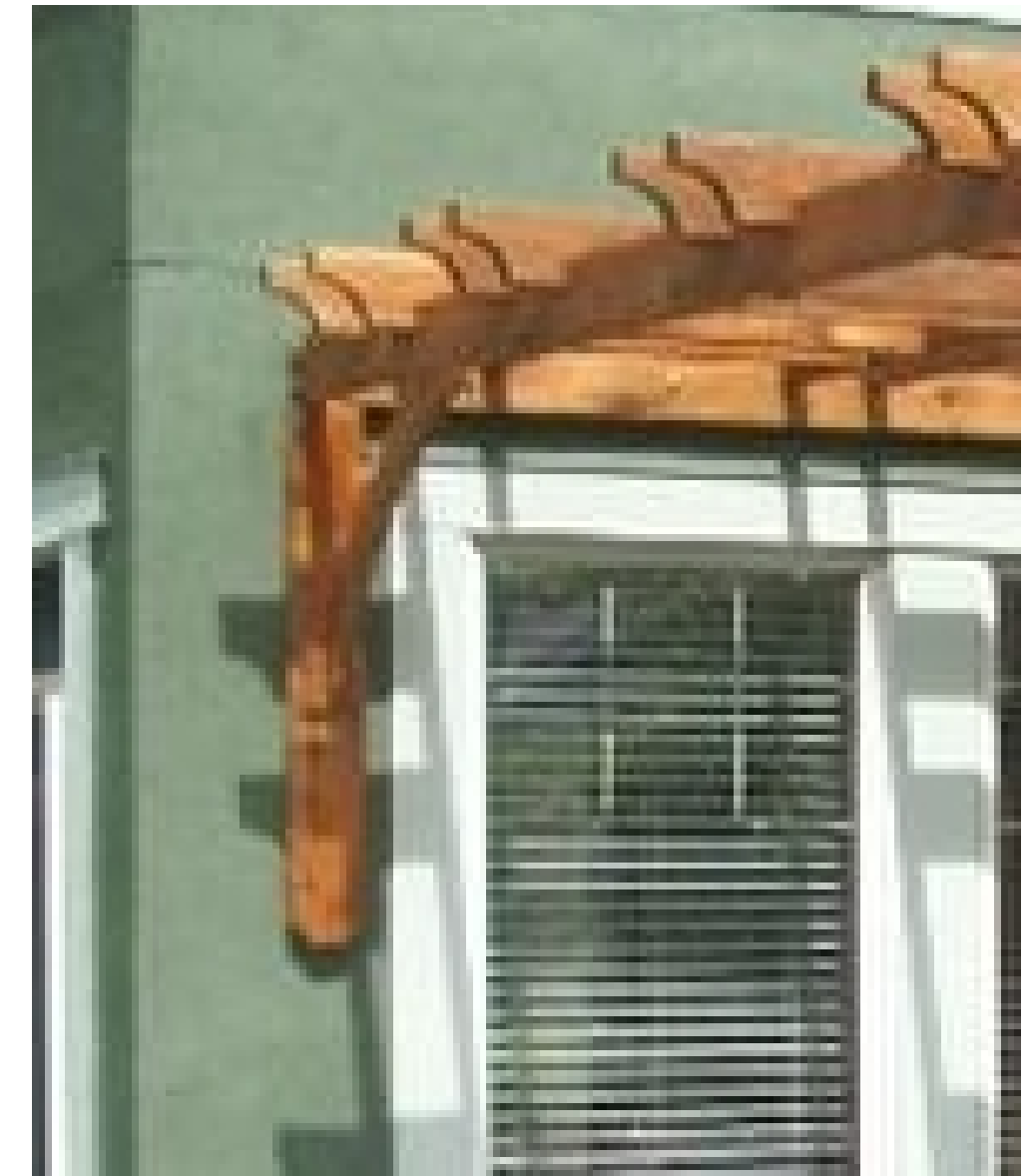
OVERHEAD SHADING STRUCTURE

ROOFTOP ACCESS (BEYOND)

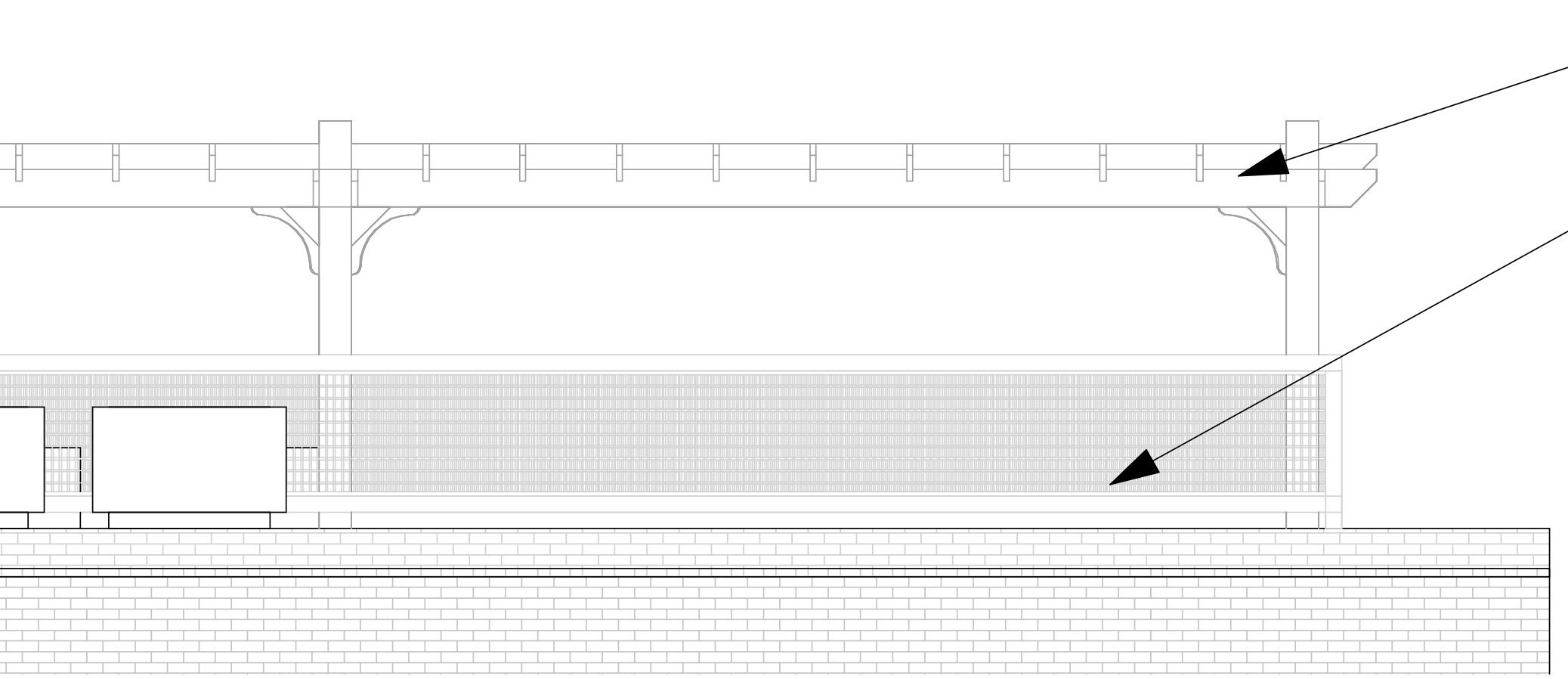
ROOFTOP RAISED PLANTERS



PROPOSED (PARTIAL) RIVERSIDE VIEW



PROPOSED CONNECTION FINISHING DETAIL AT THE STAIR ENCLOSURE



PROPOSED (PARTIAL) ALLEYWAY VIEW

OVERHEAD SHADING STRUCTURE (BEYOND)

ROOF DECK WITH METAL RAILING (BEYOND)



PROPOSED IDEA IMAGE

ROOFTOP PERGOLA - DESIGN INTENT

NOT FOR CONSTRUCTION

IOKA THEATER

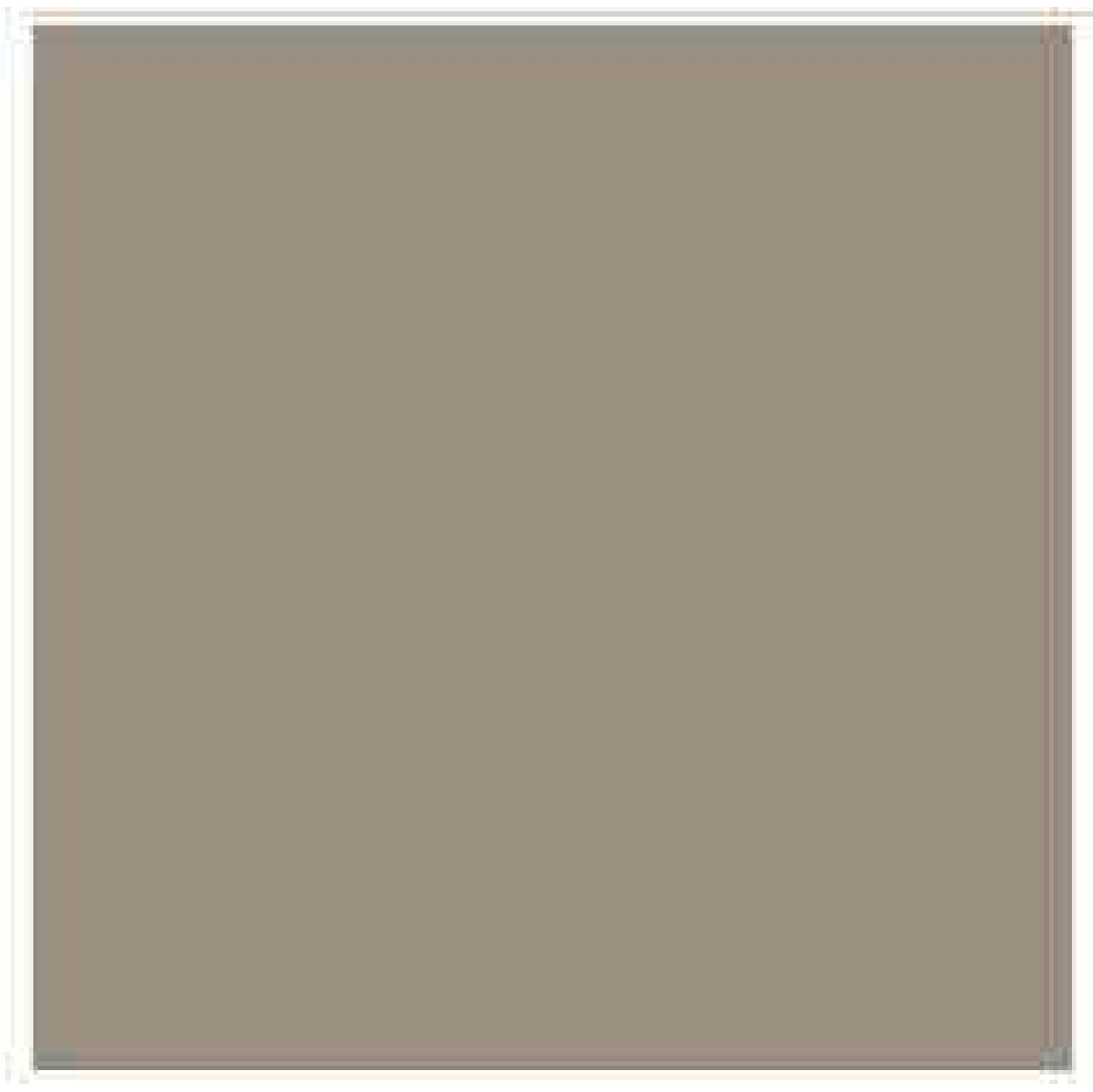
55 WATER STREET
EXETER, NH 05833

Revisions:	#	Description	Date

Scale:	1/8" = 1'-0"
Drawn By:	PPS
Checked By:	ALW
Project No.:	2020016
Date:	07/06/20

Title:
ROOFTOP PERGOLA OPTIONS

A0.02



PROPOSED COLOR CHOICE



Brick Mould

BRICK MOULD TRIM



SLIDING BALCONY DOOR



PROPOSED IDEA IMAGE

LIVING UNIT BALCONY SLIDING DOORS -
DESIGN INTENT

NOT FOR CONSTRUCTION

IOKA THEATER

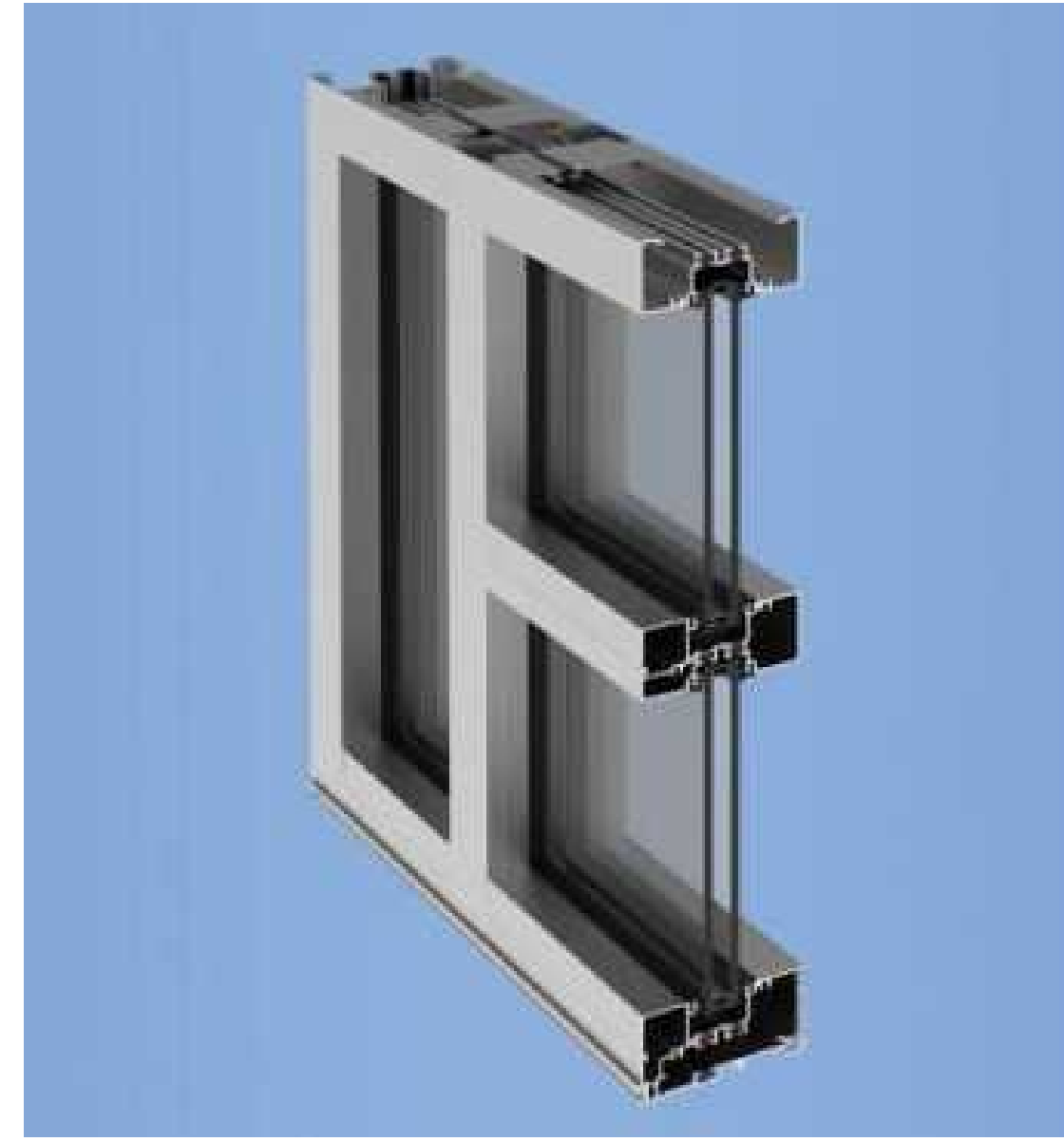
55 WATER STREET
EXETER, NH 03833

Revisions:	#	Description	Date

Scale:	1/8" = 1'-0"
Drawn By:	PPS
Checked By:	ALW
Project No.:	2020016
Date:	07/06/20

Title:
SLIDING DOOR
DETAILS

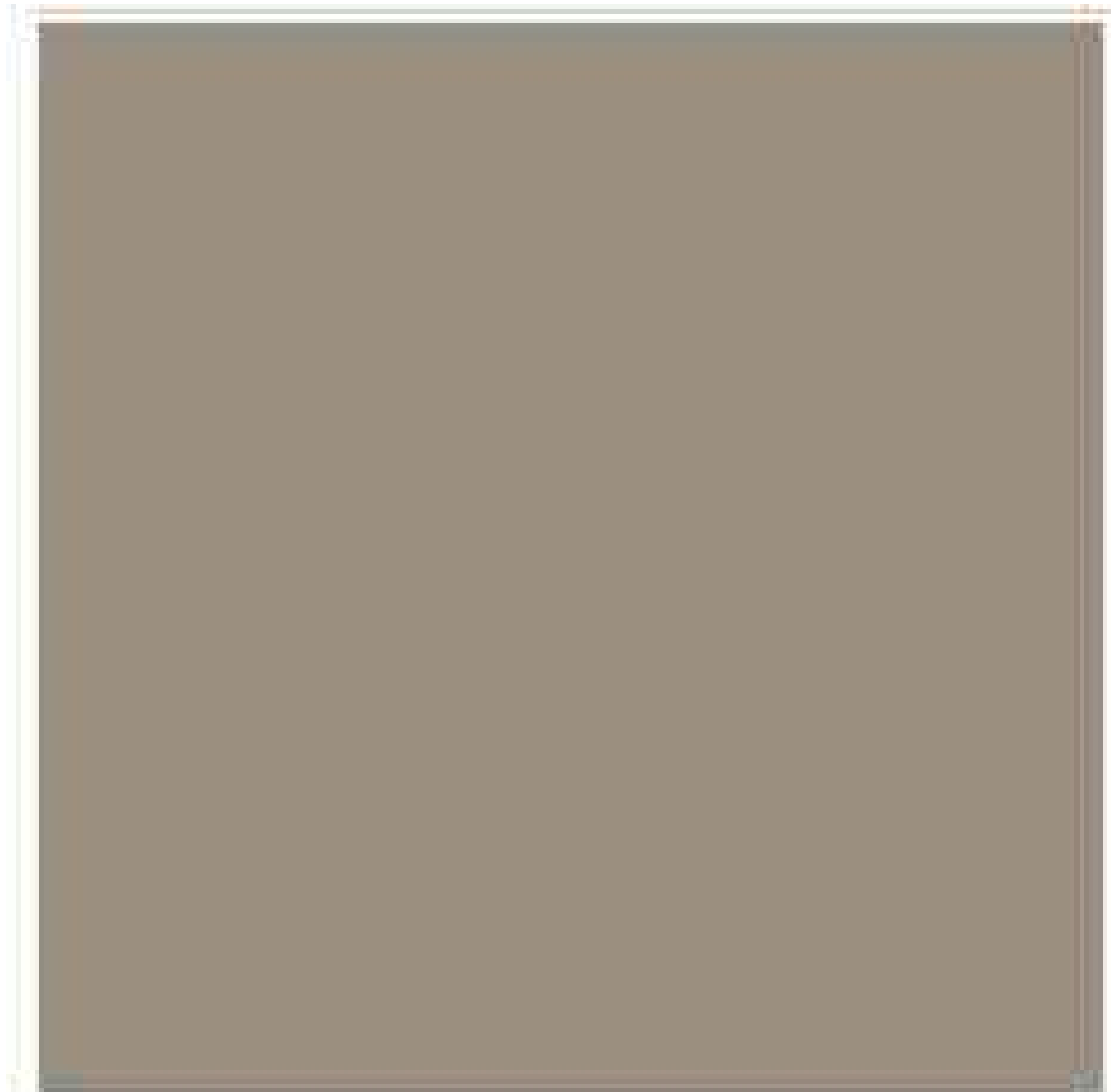
A0.03



COMMERCIAL
STOREFRONT SYSTEM



PROPOSED IDEA IMAGE



PROPOSED COLOR CHOICE



PROPOSED IDEA IMAGE

LOWER LEVEL & 1ST FLOOR STOREFRONT GLASS - DESIGN INTENT

NOT FOR CONSTRUCTION

IOKA THEATER

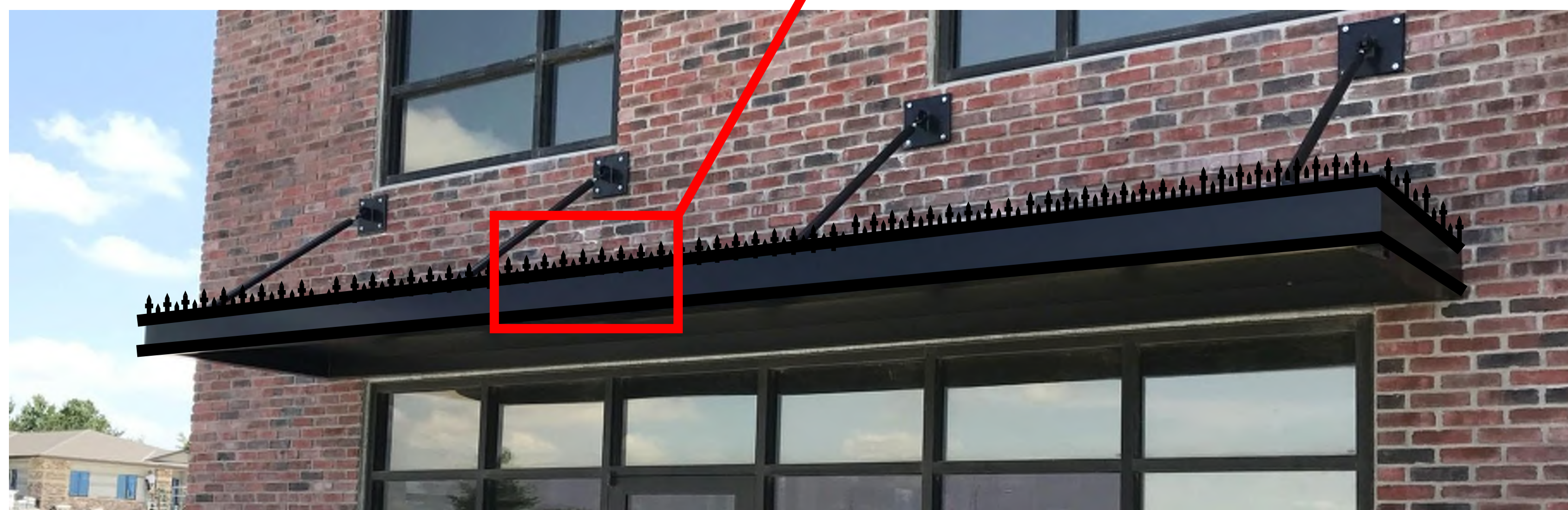
55 WATER STREET
EXETER, NH 03833

Revisions:	#	Description	Date

Scale:	1/8" = 1'-0"
Drawn By:	PPS
Checked By:	ALW
Project No.:	2020016
Date:	07/06/20



HISTORIC REFERENCE PHOTO



PROPOSED IDEA IMAGE



BIRDSPIKES ADDED, SIMILAR TO THE ORIGINAL CANOPY



PROPOSED FRONT ELEVATION

METAL ENTRY CANOPY - DESIGN INTENT

NOT FOR CONSTRUCTION

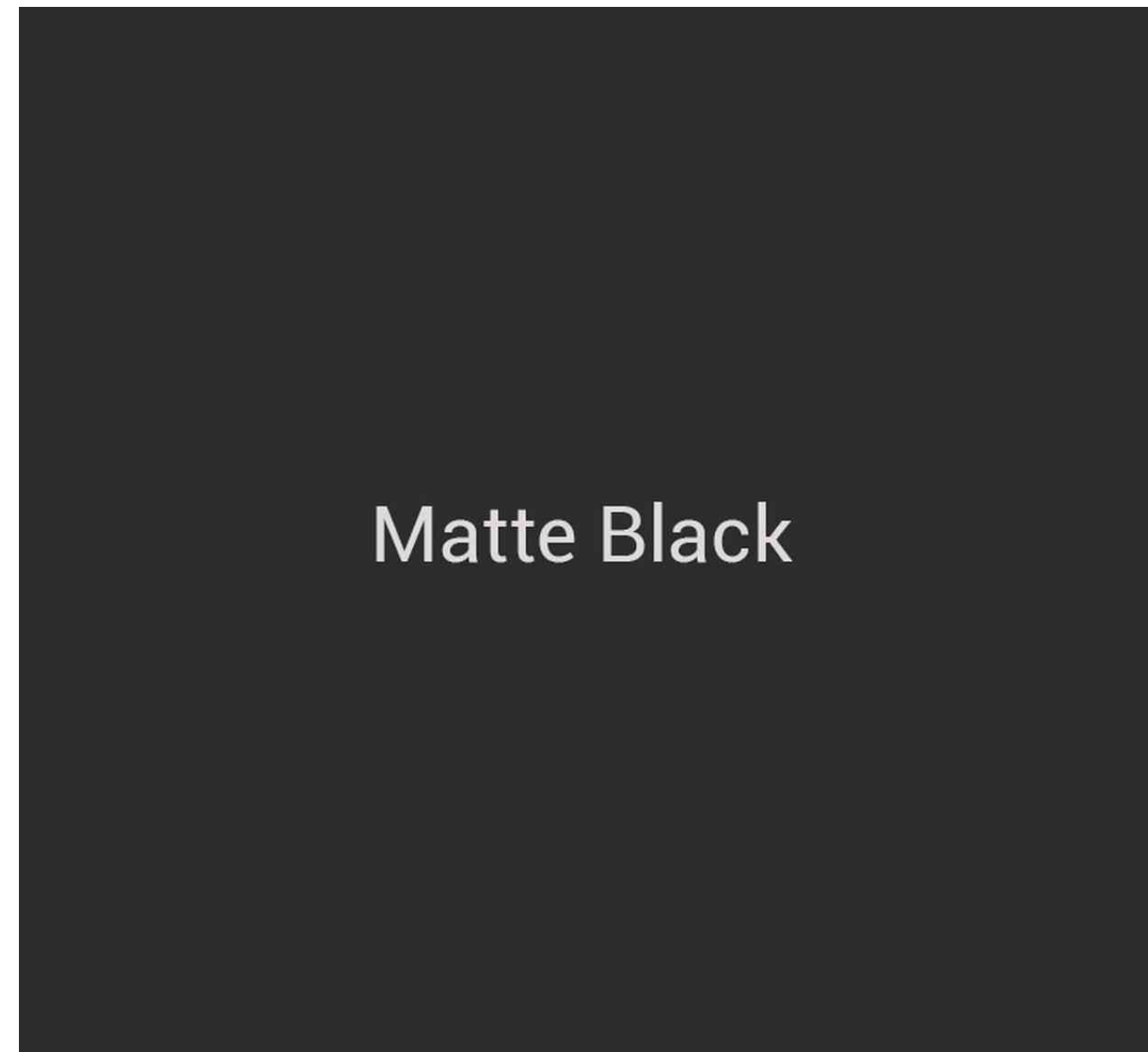
IOKA THEATER

55 WATER STREET
 EXETER, NH 03833

Revisions:	#	Description	Date

Scale:	1/8" = 1'-0"
Drawn By:	PPS
Checked By:	ALW
Project No.:	2020016
Date:	07/06/20

Title:	CANOPY DESIGN OPTIONS
	A0.05



Matte Black

PROPOSED COLOR CHOICE



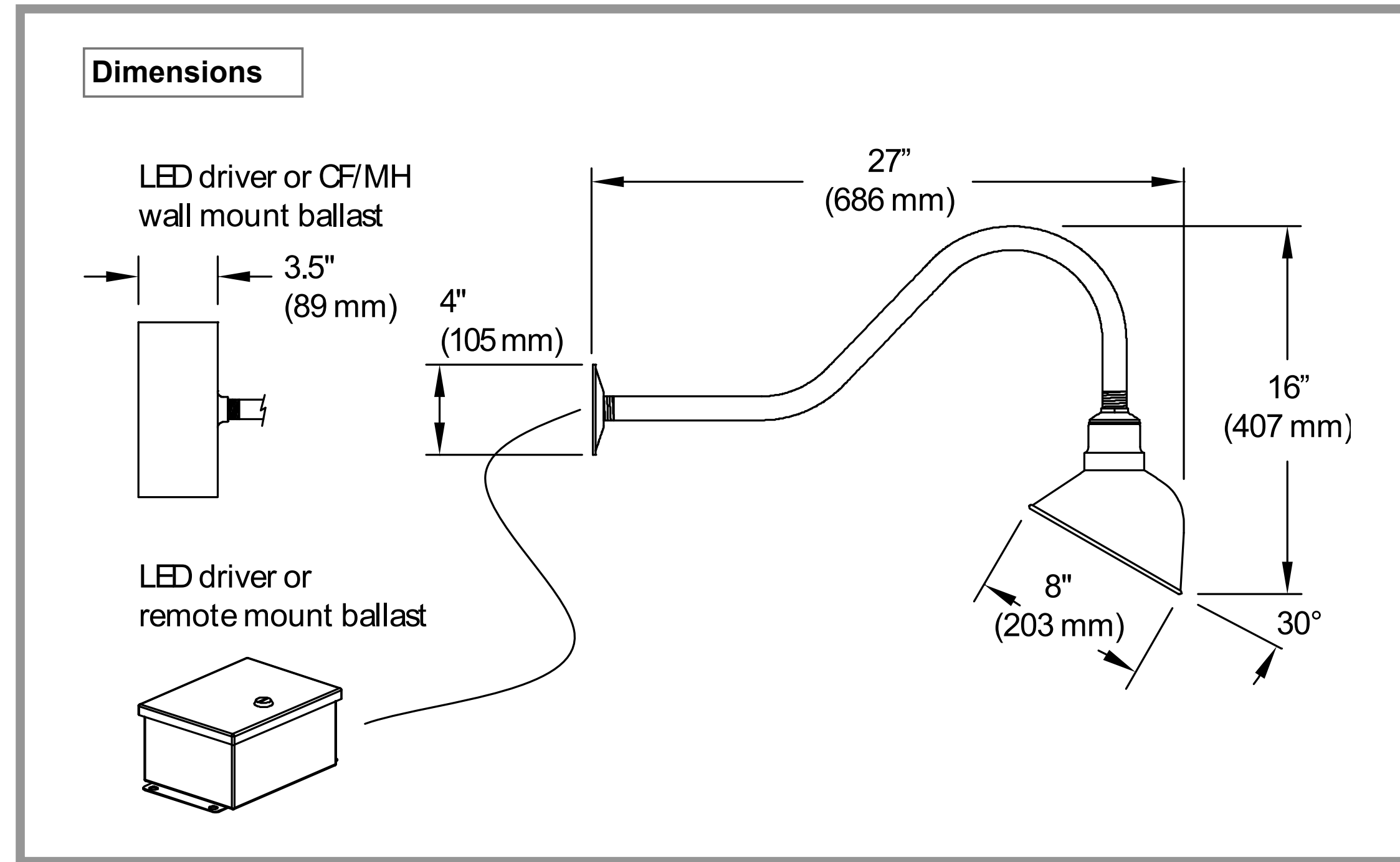
Features

- Asymmetrical 30° reflector provides uniform coverage, even at close range
- Approved for indoor and outdoor applications
- Surge suppressor protects the internal components
- Practical options for application and design flexibility
- Quality components for extended lamp and component life

Applications

Sign 5 is ideal for illuminating signage up close or at medium range. The asymmetrical reflector focuses the beam, with attention to the vertical area, onto the target, minimizing spill.

It also provides adequate night time security lighting.



PROPOSED DIMENSIONS

Construction

High grade aluminum reflector and mounting arm, with stainless steel mounting hardware.

Lamp

Operates with Cree™ LED (15W max.), compact fluorescent (32W max.), metal halide (70W max., E-17), or incandescent (100W max., A-19) sources. Specify 3000K, 3500K, or 4000K CCT for LED systems.

Note: LED systems use 120-277V supply voltage, and are not compatible with 347V. Incandescent and metal halide systems use a medium base socket (E26).

Diffuser

Globe: clear and prismatic glass globes are available for greater diffusion and lamp protection.

Note: G3 is available with 15LED, 32CF, 70MH and 100IN max.

Only prismatic globes are available with LED systems.

Option

Wire Guard: a steel, chrome-plated wire guard is available for lamp protection against light projectiles, wildlife, and serves as a vandal deterrent.

Ballast / Driver

Integral and remote, ballasts and drivers are available for indoor and outdoor locations.

Ballasts are integral and electronic; efficient with a high power factor greater than 90%, and quiet with an "A" sound rating.

The LED source is controlled by an advanced electronic driver that delivers consistent power.

Surge Suppressor

All 120V, 277V, and universal voltage LED luminaires are equipped with an integral, 6kV surge suppressor.

Dimming

The LED dimming option is the 0-10V current-sinking type.

Note: The dimming option is available to systems with 120-277V supply voltage only.

Use a current-sinking dimming system (by others) for LED dimming.

Compatibility of this product is not guaranteed with all control systems.

Emergency

For LED and CF systems, integral and remote emergency back-ups are available, in the standard temperature and cold temperature type.

Note: The emergency back-up option is available with 120-277V systems only.

The test switch and indicator light would be remote.

EM Integral LED: (min. operating temp. +5C/+40F)

EMR Remote LED: (20 ft. / 6.096 m max. distance from EM to LED; min. operating temp. +5C/+40F; dry location mounting)

EMC Integral LED with Cold Pack: (min. operating temp. -20C/-4F)

EMCR Remote LED with Cold Pack: (20 ft. / 6.096 m max. distance from EM to LED; min. operating temp. -20C/-4F)

EM Integral CF: (min. operating temp. +5C/+40F)

EMC Integral CF with Cold Pack: (min. operating temp. -20C/-4F)

EMR Remote CF: (7 ft. / 2.134 m max. distance from EM to lamp; min. operating temp. +5C/+40F; dry location)

EMCR Remote CF with Cold Pack: (7 ft. / 2.134 m max. distance from EM to lamp; min. operating temp. -20C/-4F)

Finish

Available in several TMS specialty brushed, plated, and powder-coated finishes; see the TMS "Finishes and Diffusers" chart. Custom RAL finishes are available by special order.

Note: The reflector would be finished with white on the inside, and the specified color on the outside. Textured finishes are applied to all areas of the reflector.

Mounting

Mount on a flat surface, directly over a standard 4" electrical junction box.

Follow the installation instructions and adhere to your local electrical code.

Mounting Accessories

Aiming Knuckle: ratcheted aiming knuckle allows vertical adjustment of the reflector (115° range in each direction; fits 3/4" NPT mounting arm).

Compliances

QPS-C/US, or UL-C/US certified to UL1598 standards. Rated IP20 for use in dry, indoor locations, or IP23 for use in dry to wet locations, indoor and outdoor.

The Consultants Europe (CE) listing is available upon request.

NOT FOR CONSTRUCTION

IOKA THEATER

55 WATER STREET
EXETER, NH 05853

Revisions:	#	Description	Date

Scale:	1/8" = 1'-0"
Drawn By:	PPS
Checked By:	ALW
Project No.:	2020016
Date:	07/06/20

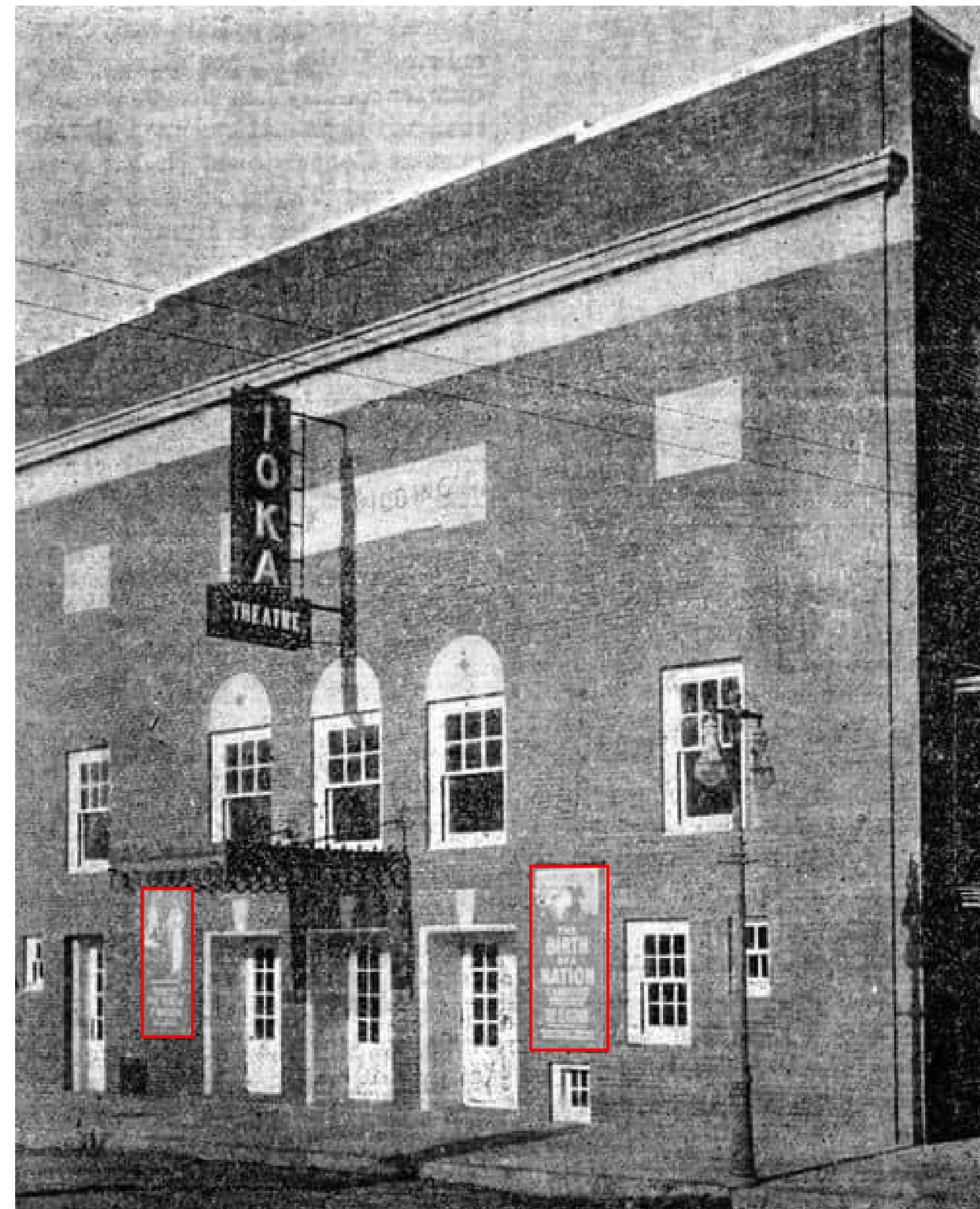
GOOSENECK EXTERIOR LIGHT FIXTURE - DESIGN INTENT



PROPOSED SIGNAGE LOCATION



SIGNAGE DESIGNS CONTINGENT ON FUTURE TOWN APPROVALS



HISTORIC REFERENCE PHOTO (SHOWING POSTER SIGNAGE LOCATIONS)



PROPOSED SIGNAGE LOCATION

TENANT SIGNAGE - LOCATION INTENT

NOT FOR CONSTRUCTION

IOKA THEATER

55 WATER STREET
 EXETER, NH 03833

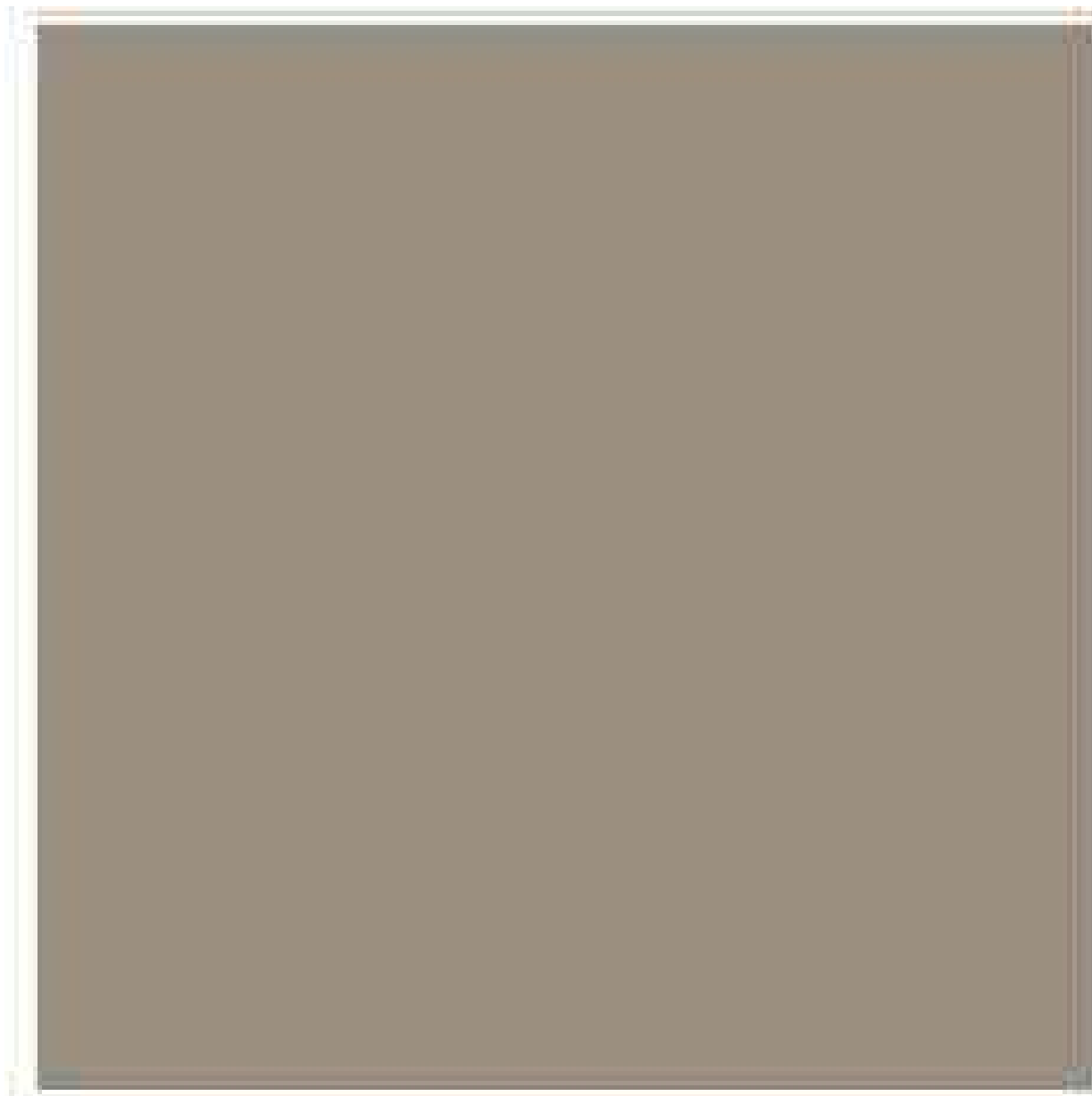
Revisions:	#	Description	Date

Scale:	1/8" = 1'-0"
Drawn By:	PPS
Checked By:	ALW
Project No.:	2020016
Date:	07/06/20

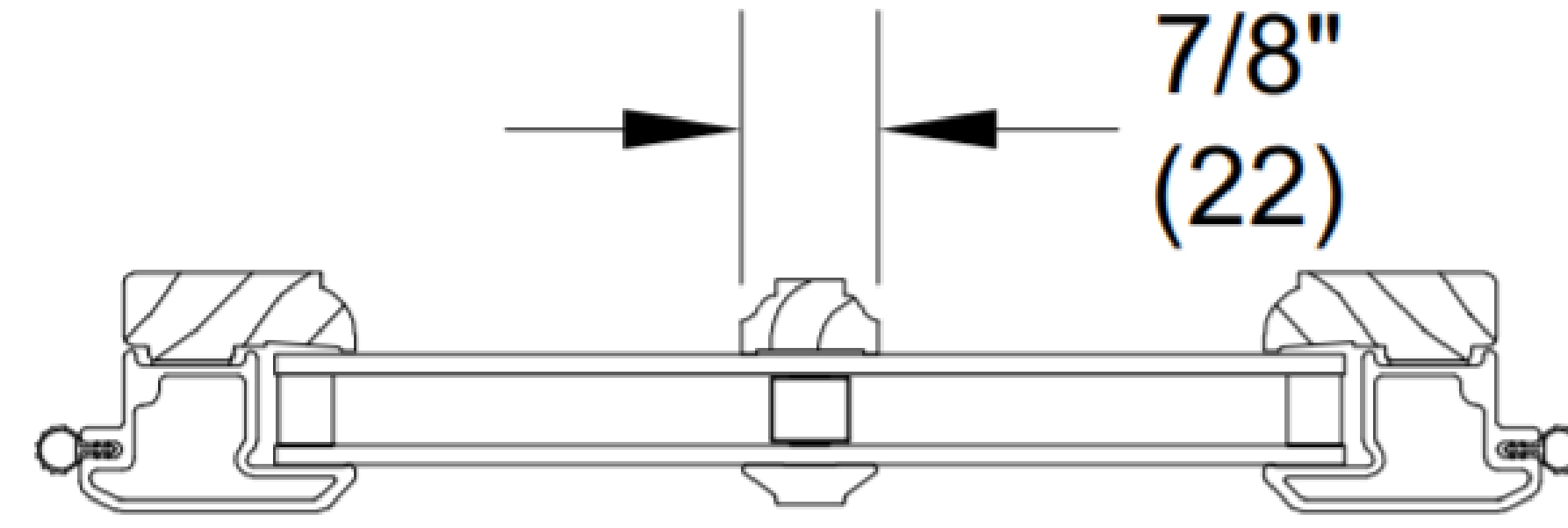
Title:	TENANT SIGNAGE OPTIONS
	A0.07



BRICK MOULD TRIM



PROPOSED COLOR CHOICE



Wood SDL With Spacer Bar

SIMULATED DIVIDED LITE -
PROPOSED FOR ALL WINDOWS AND DOORS
ON ALL FLOORS OF THE BUILDING



WINDOW & DOORS - DESIGN INTENT

NOT FOR CONSTRUCTION

IOKA THEATER

55 WATER STREET
EXETER, NH 03833

Revisions:	#	Description	Date

Scale:	1/8" = 1'-0"
Drawn By:	PPS
Checked By:	ALW
Project No.:	2020016
Date:	07/06/20

Title:	FINAL WINDOW AND DOOR PROPOSAL
Sheet:	A0.08

NOT FOR CONSTRUCTION

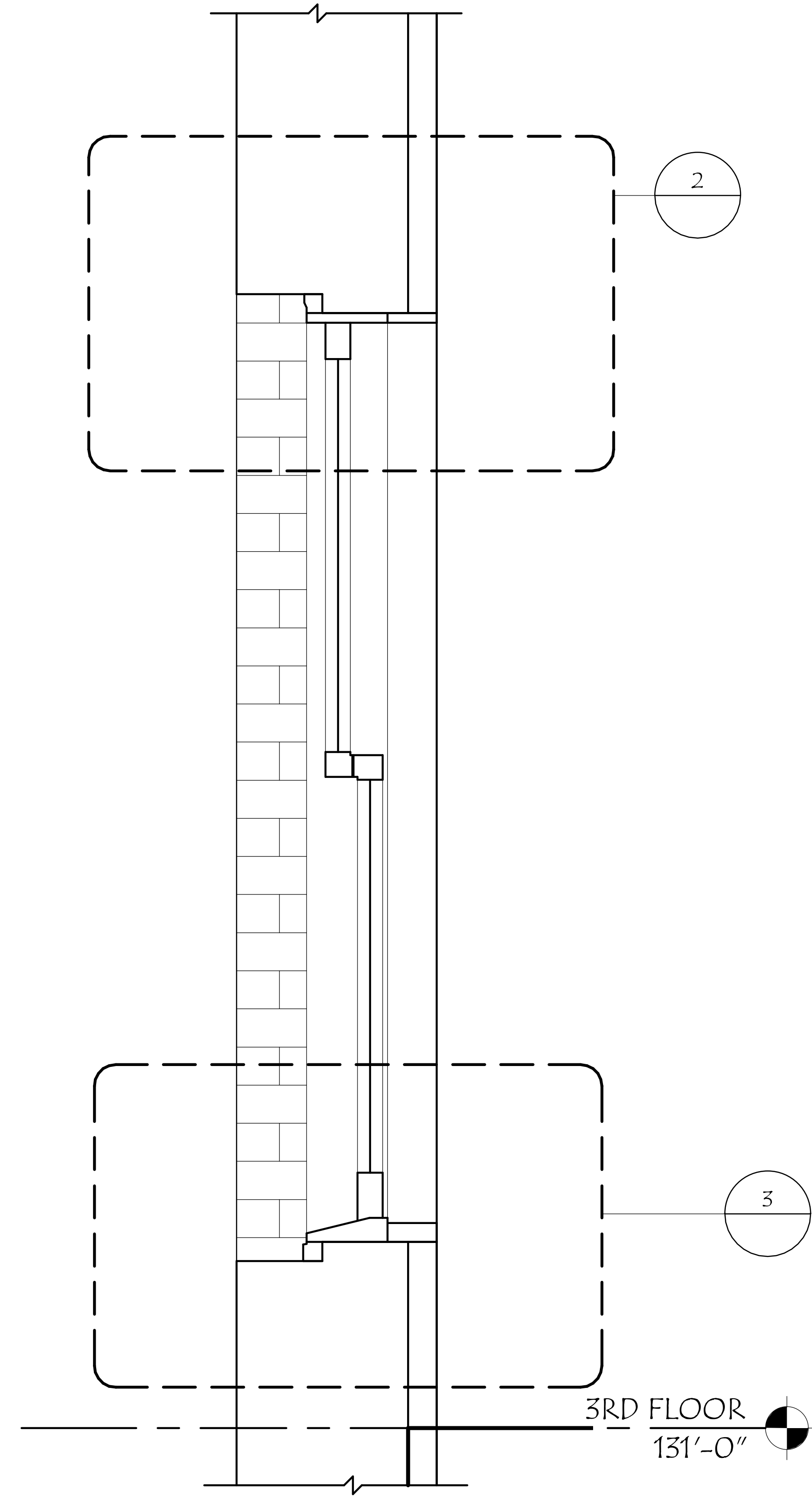
IOKA THEATER

55 WATER STREET
 EXETER, NH 03833

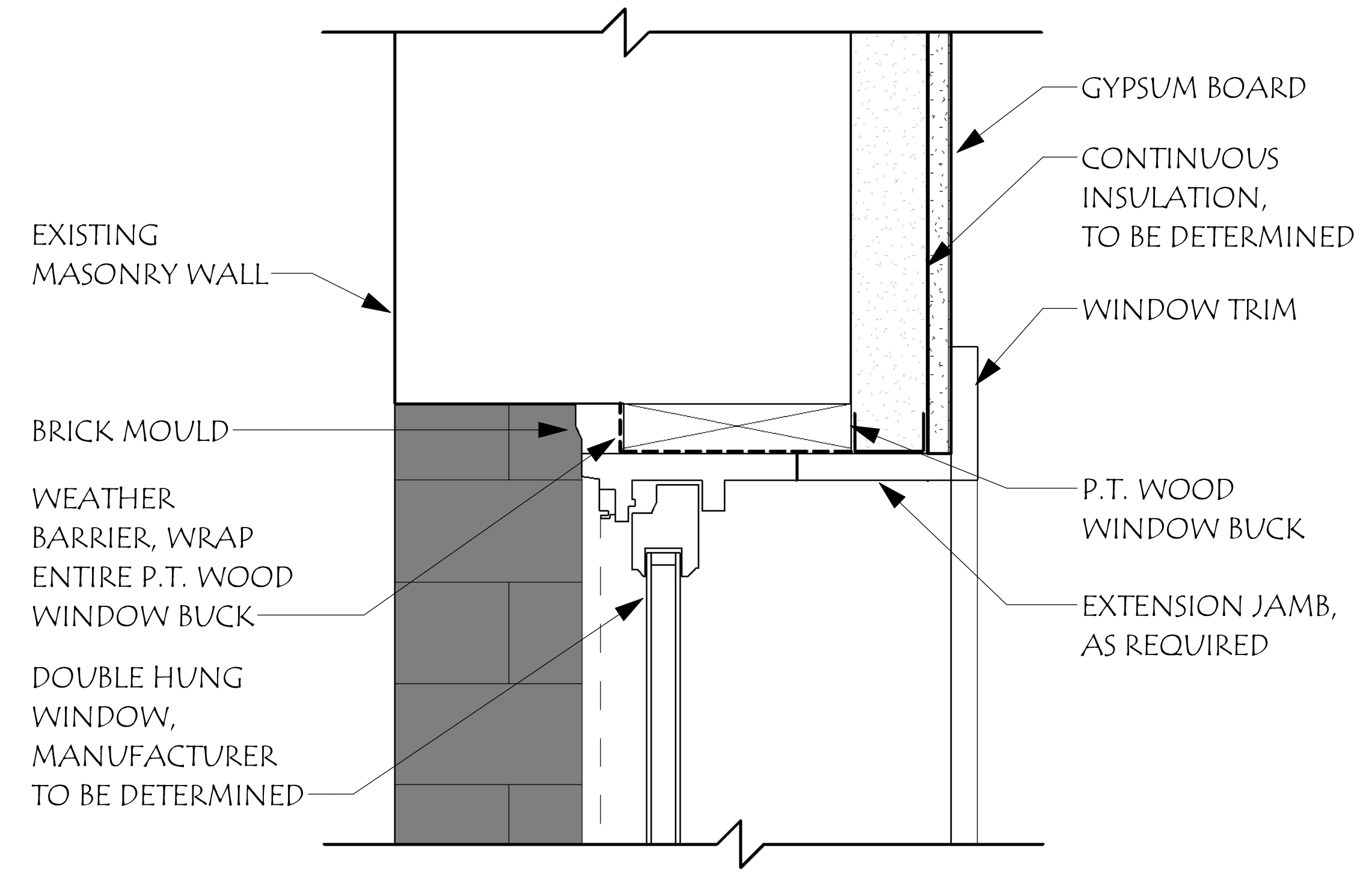
Revisions:	#	Description	Date

Scale:	1/8" = 1'-0"
Drawn By:	PPS
Checked By:	ALW
Project No.:	2020016
Date:	07/06/20

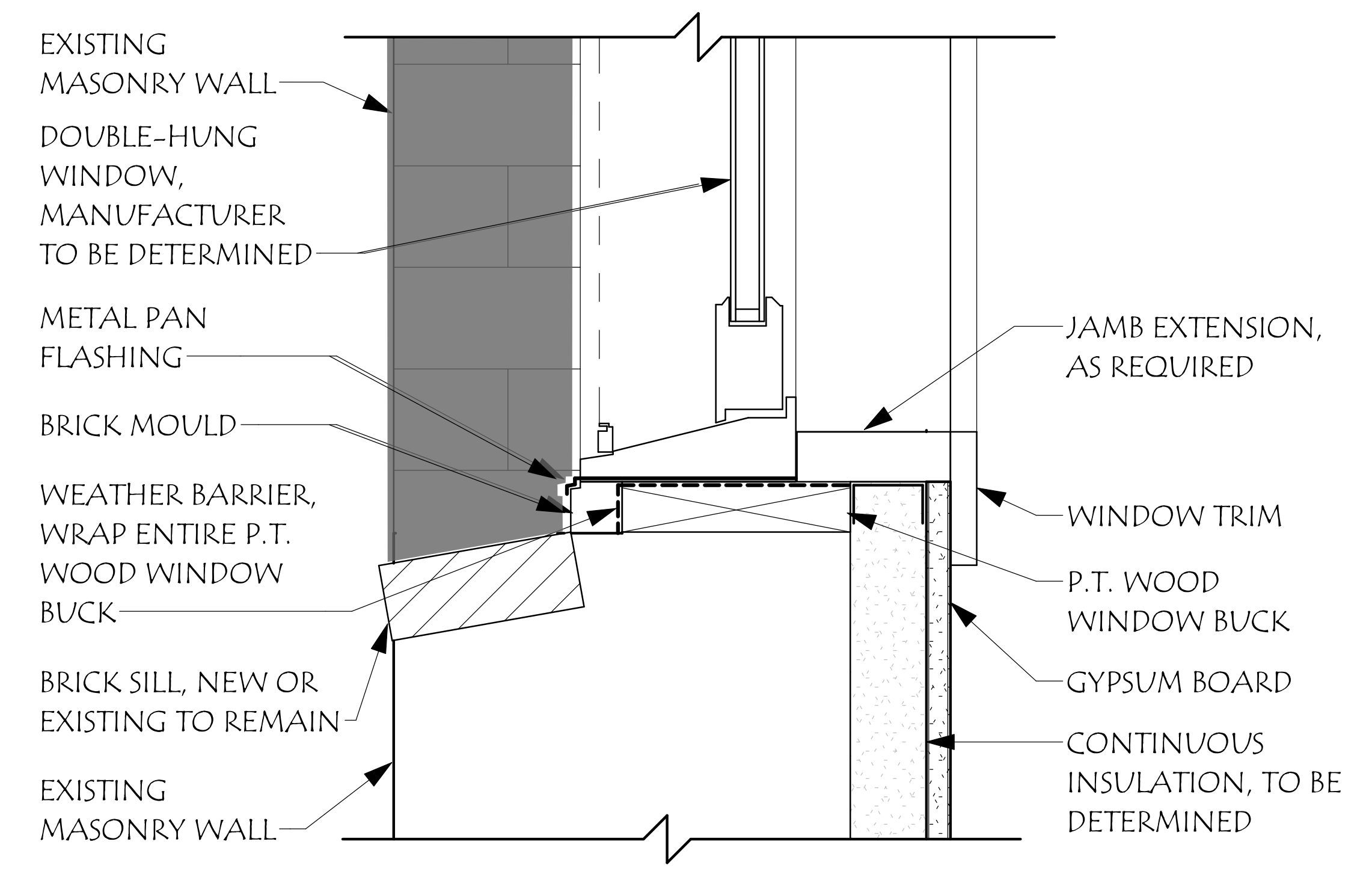
Title:	WINDOW OPENING DETAILS
	A0.09



① TYPICAL WINDOW SECTION



② WINDOW HEAD DETAIL



③ WINDOW SILL DETAIL

WINDOW OPENING DETAILS - DESIGN INTENT